

**DR. BABASAHEB AMBEDKAR TECHNOLOGICAL UNIVERSITY, LONERE**

**Regular End Semester Examination – Summer 2022**

**Course: B. Tech. (First Year All Branches Group B)**

**Semester : II**

**Subject Code & Name: BTES203G Engineering Graphics**

**Max Marks: 60**

**Date: 23/08/2022**

**Duration: 5 Hrs.**

**Instructions to the Students:**

1. All the questions are compulsory.
2. The level of question/expected answer as per OBE or the Course Outcome (CO) on which the question is based is mentioned in ( ) in front of the question.
3. Use of non-programmable scientific calculators is allowed.
4. Assume suitable data wherever necessary and mention it clearly.

	(Level/CO)	Marks
<b>Q. 1 Solve the following.</b>		
A) Construct a regular pentagon of 30 mm side by general method.	Remember	06
B) Explain the different methods of dimensioning.	Understand	06
<b>Q.2 Solve Any one of the following.</b>		
A) Draw the elevation, top view and side view of the object shown in figure 1. All dimensions are in mm.	Apply	12

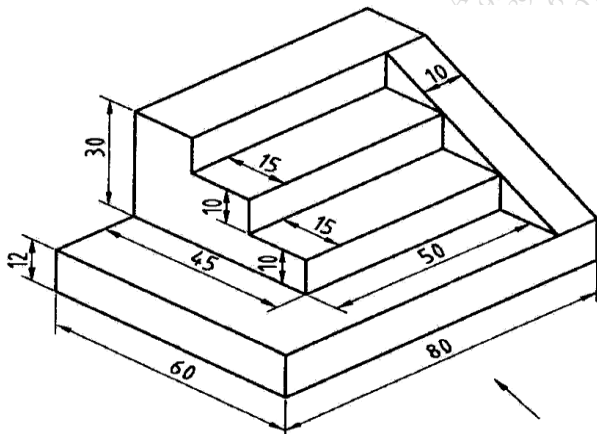


Figure:1

B) Draw the elevation, top view and side view of the object shown in figure 2. All dimensions are in mm.	Apply	12
--	-------	----

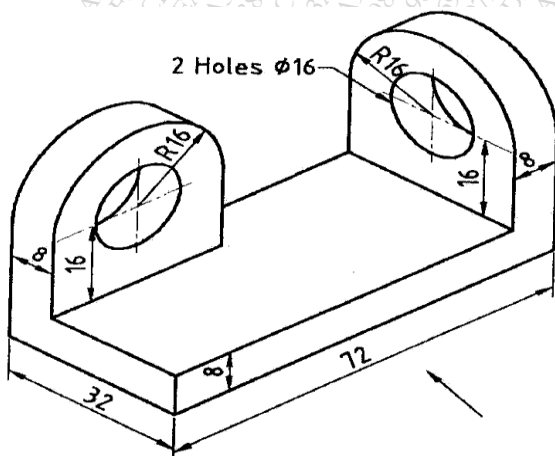


Figure: 2

<b>Q. 3 Solve Any Two of the following.</b>		
A) Line AB is 75 mm long. It's F.V. and T.V. measure 50 mm & 60 mm long respectively. End A is 10 mm above H.P. and 15 mm in front of V.P. Draw projections of line AB if end B is in first quadrant. Find angle with HP and VP.	Evaluate	06
B) End A of a line AB is 25 mm below HP and 35 mm behind VP. Line is 30° inclined to HP. There is a point P on AB contained by both HP & VP. Draw projections; find inclination with VP and traces.	Evaluate	06

